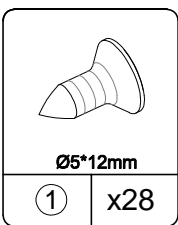
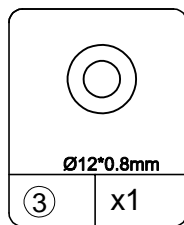
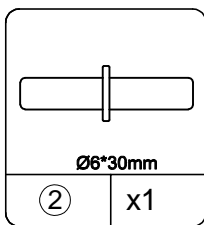


Hardware	Ctn No.	1
----------	---------	---

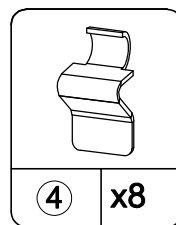
No.	Size	Qty
A	918x350x24mm	2
B	890x450x23mm	1
C	871x449x20mm	1
D	501x351.5x38mm	1
E	320x497x20mm	2
F	496x301x25mm	1
G	496x300x20mm	2



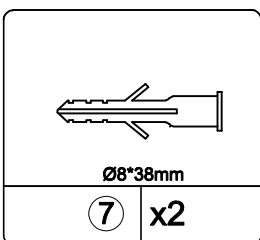
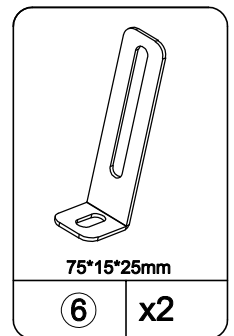
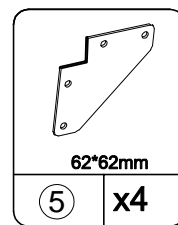
spare:2



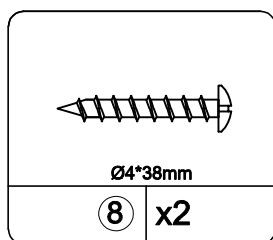
spare:1



spare:2



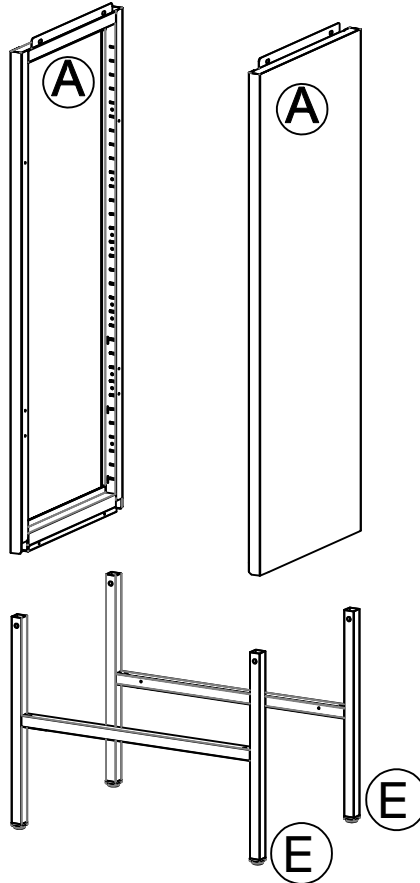
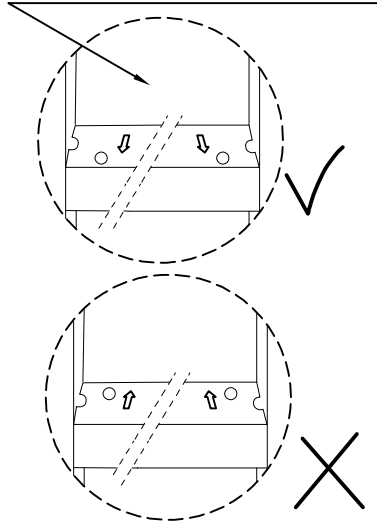
SCREW



WALL ANCHOR

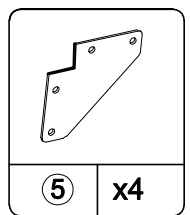
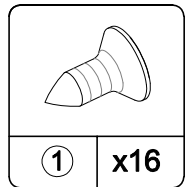
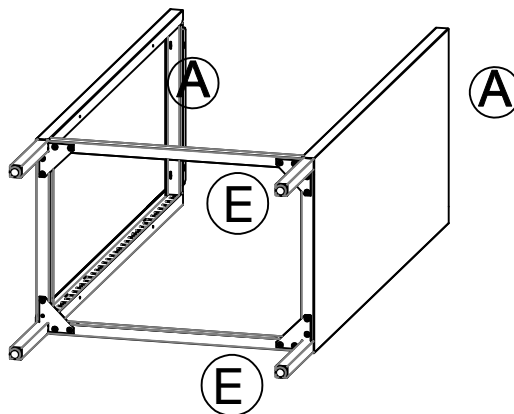
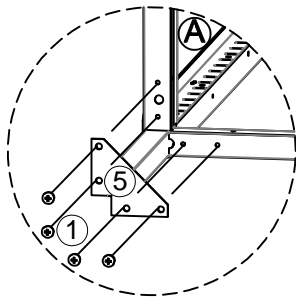
(1) - Attach (A) to (E) as below shown.

Make sure the holes face outward for correct door assembly.

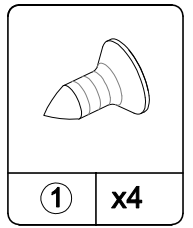
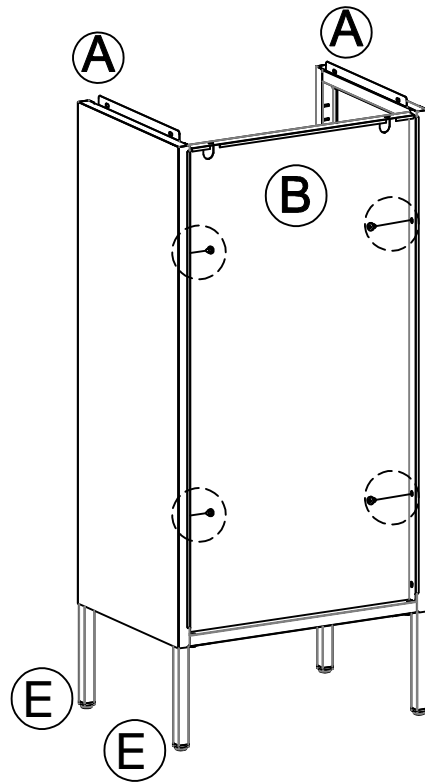


The plastic foot cover face down

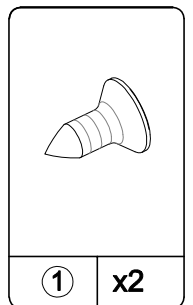
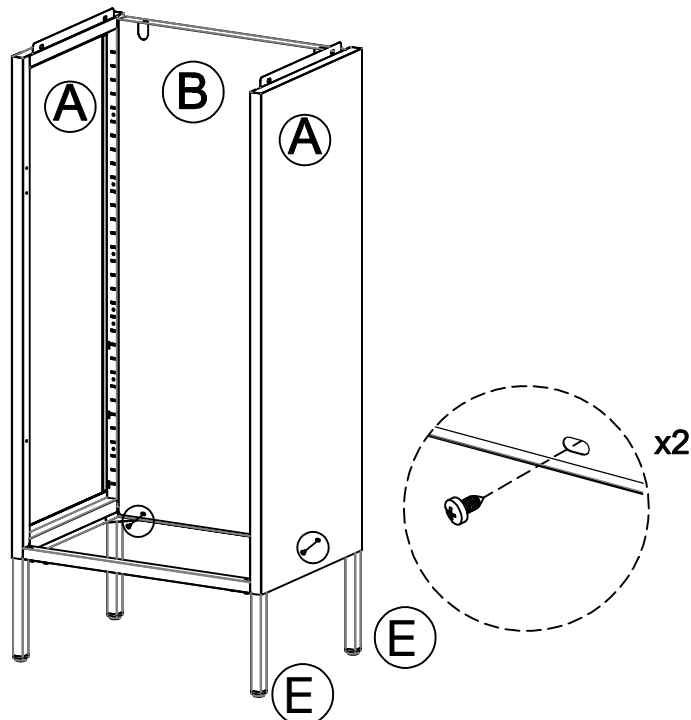
(2) - Attach ⑤ to (A)&(E) as below shown.



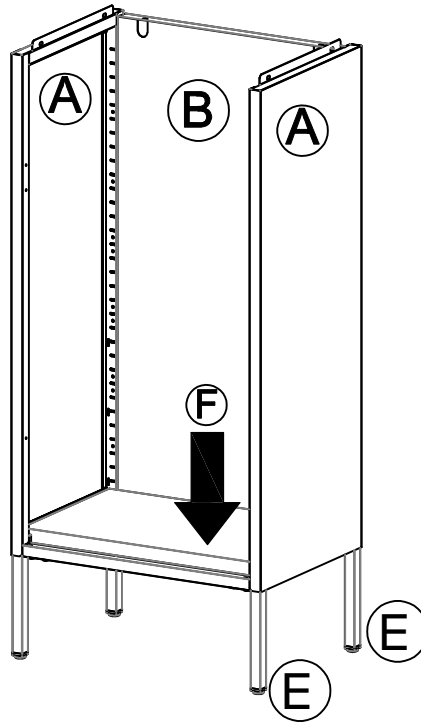
(3) - Attach (B1) & (B2) to (A) as below shown.



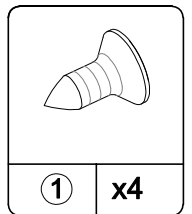
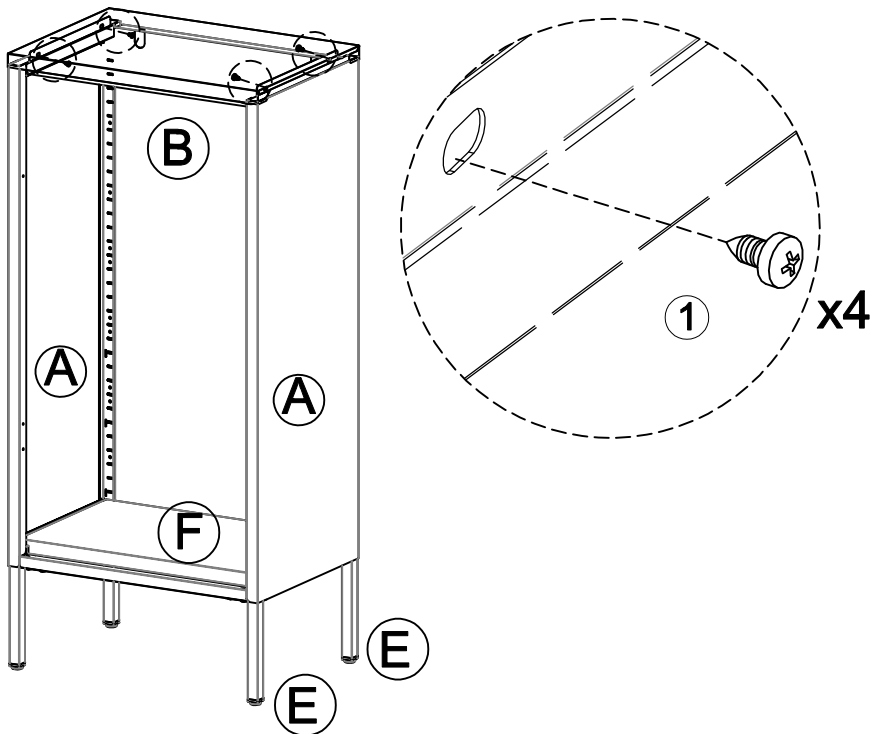
(4) - Attach (B) to (A) & (E) as below shown.



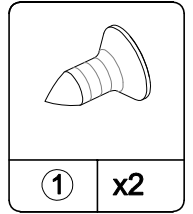
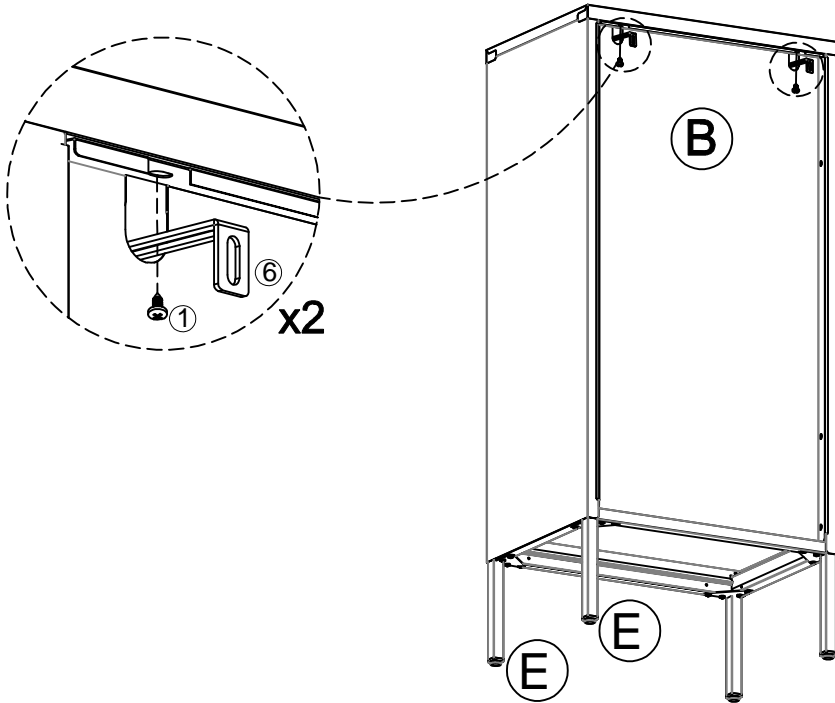
(5) - Attach (F) to (A) & (B) & (E) as below shown.



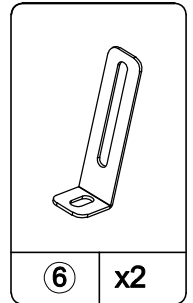
(6) - Attach (D) to (A) & (B) as below shown.



(7) - Attach (B) & (6) to (D) as below shown.

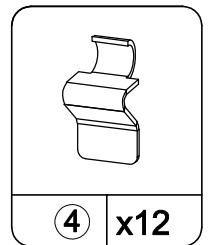
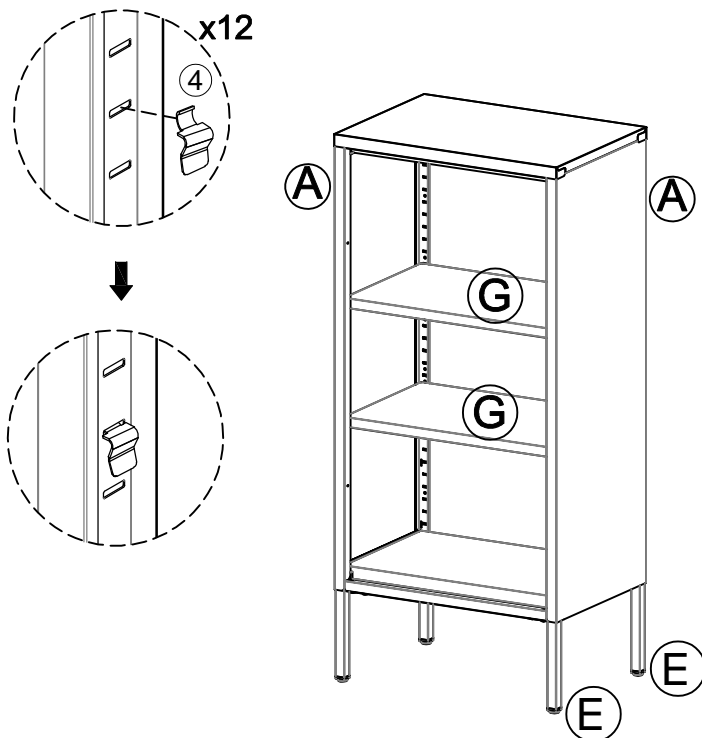


① x2



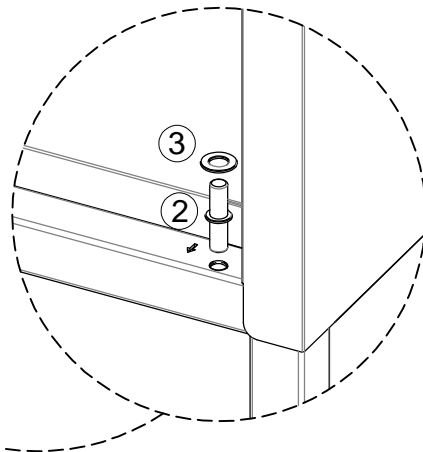
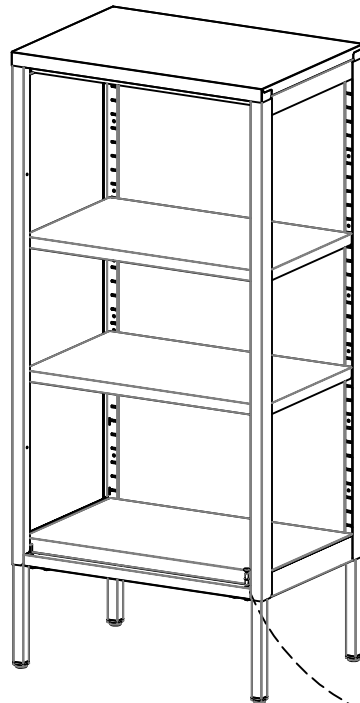
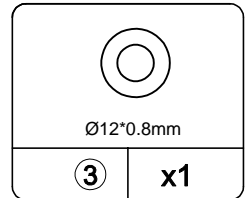
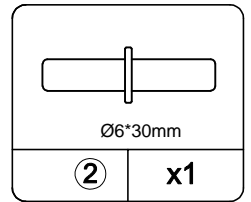
⑥ x2

(8) - Attach (G) to pre-assembled unit as below shown.

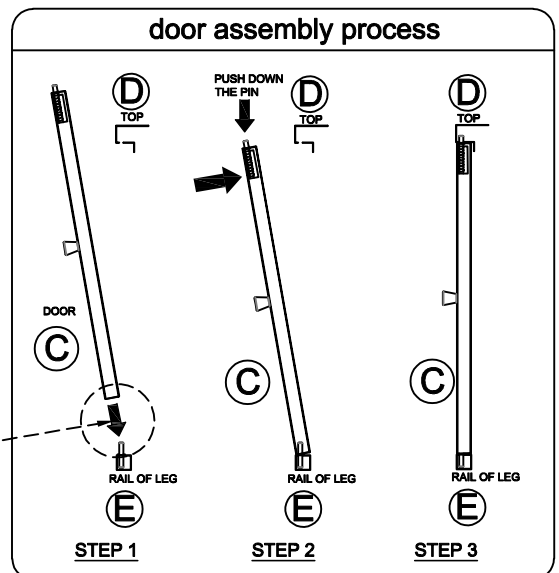
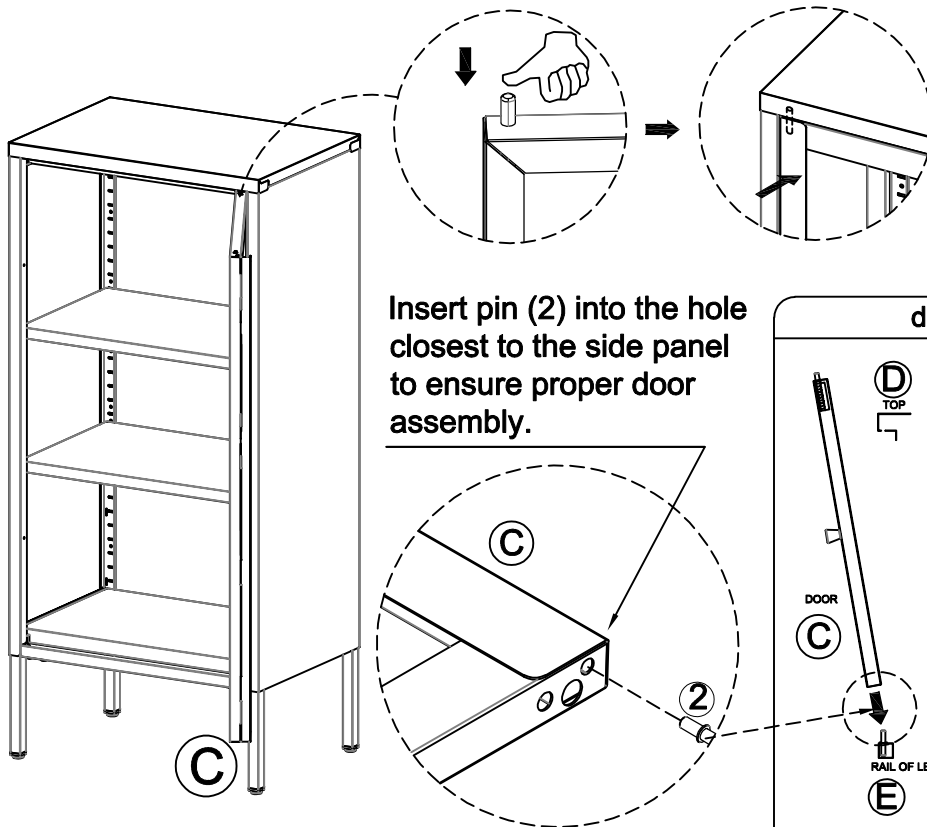


④ x12

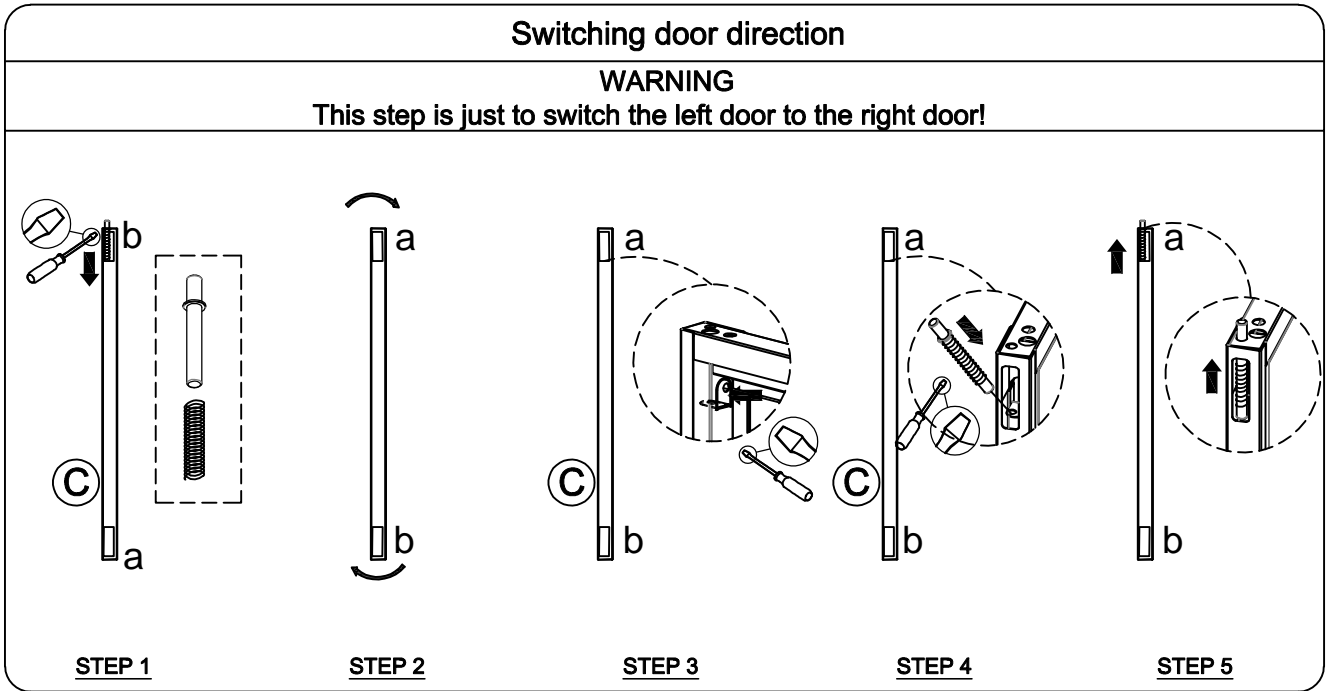
(9) - Attach (2) & (3) to pre-assembled unit as below shown.



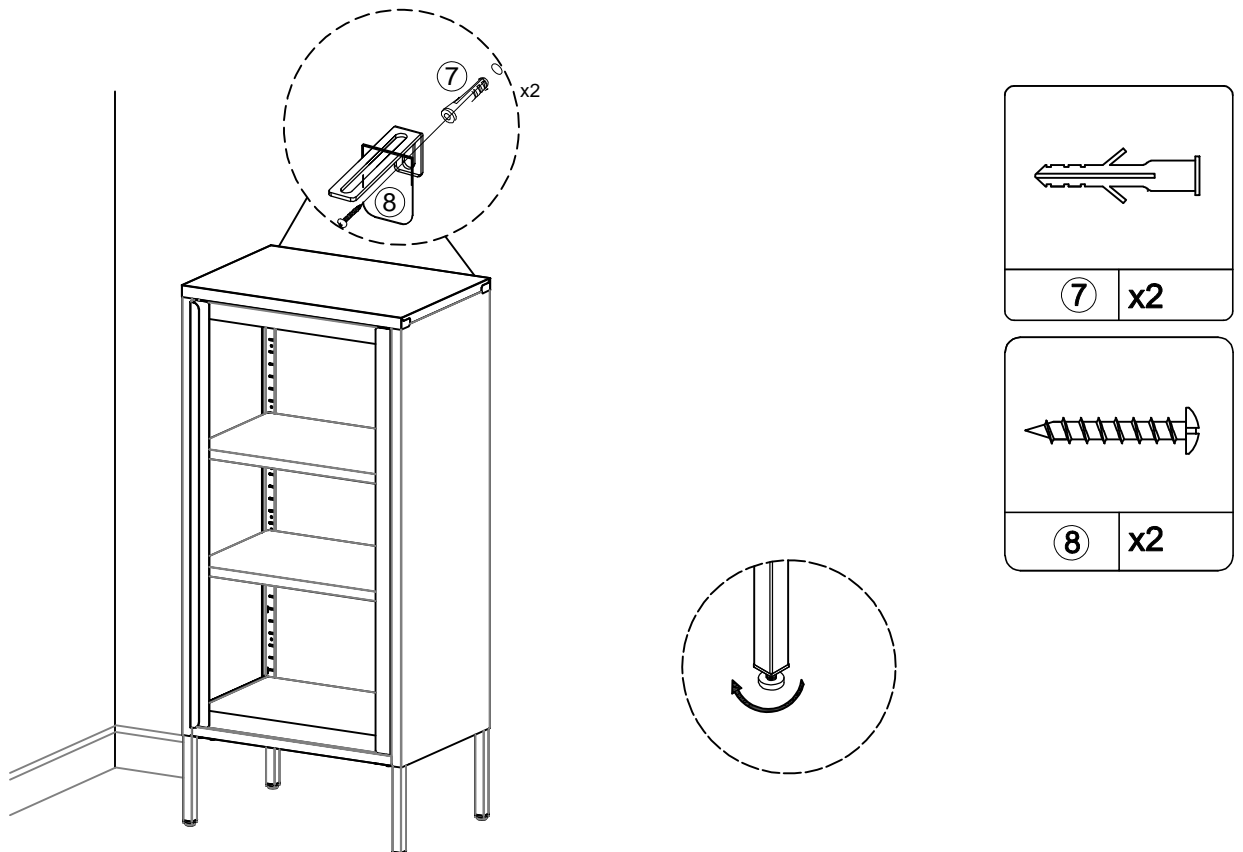
(10) - Attach (C) to pre-assembled unit as below shown.



(11)



(12)



After securing the furniture to the wall, gaps between the doors and frame may appear if it's not level to the floor. Adjusting the legs will fix this.