



FORNELL ABF1

BY ANDREAS BOZARTH FORNELL
2017



FORNELL ABF1

BY ANDREAS BOZARTH FORNELL
2017

With Fornell, Andreas Bozarth Fornell wanted to design a lamp that didn't take energy away from a room. Inspired by American artist Donald Judd, a forerunner of the minimalist movement known for his work with industrial material to help foster the democratization of art.

Drawing his inspiration from the world of art and fashion, Andreas Bozarth Fornell creates simple, streamlined designs you would enjoy sharing a space with. Initially trained as a cabinetmaker, Fornell apprenticed with an architect when fate stepped in. He landed a juicy job as the in-house architect for the Swedish fashion brand Acne, designing the interiors for their riveting retail shops in New York, Los Angeles, Paris, London, Copenhagen, Stockholm, Hong Kong, Tokyo and Melbourne. Where he merged different materials with inherent colour qualities to create amazing spaces imbued with atmosphere.

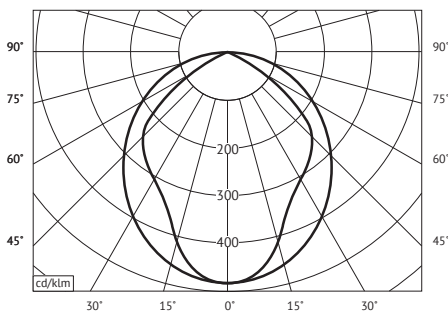
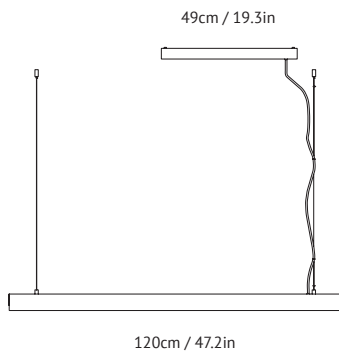
"Art is my inspiration," says Fornell. "With art comes freedom from functionality. At the same time, I'm attracted to functionality. Not design for the sake of design. But objects you can really use in a design you would enjoy looking at – and having in your life."

"Fornell played with aluminium to create a matt finish on the outside and a high polished, mirror effect on the inside," explains &tradition Brand Manager Martin Kornbek Hansen. "He also took a pure U shape with a narrow beam of light and created wings to disperse the light. Resulting in a basic concept made brilliant."



FORNELL ABF1

BY ANDREAS BOZARTH FORNELL
2017



— C0,0-C180,0 — C90,0-C270,0

Product category	Linear suspension lamp
Production Process	The lamp shade is made from precision-bend stainless steel with a matt lacquer on the outside and a mirror-polished finish on the inside.
Environment	Indoor
Material	Mirror polished & matt lacquered stainless steel, PC diffuser, 6m cable & stainless steel wires.
Dimensions (cm/in)	Lamp shade: H: 6cm/2.4in, L: 120cm/47.2in, W: 7.5cm/2.9in. Canopy: H: 4cm/1.6in, L: 49cm/19.3in, W: 5cm/1.9in.
Weight (kg)	3.5kg
Colours	Mirror polished stainless steel & matt white Mirror polished stainless steel & matt black
Voltage	220-240V - 50Hz.
Light source	Light output: 1500 lumen Lument/watt: 51 lumen CRI: >90 (True Color Rendering) Color temperature (Kelvin): 3000K
Dimmability & Dali compatibility	1-10V dimmable driver pre-installed in canopy. Dali and push-dim compatible driver available for installation in canopy upon request.
Canopy	Canopy in same finish as lamp shade is included.
Approximate LED life-time	35.000 hours
Certifications	CE, IP20, Class II
Cord length (cm/in)	600cm/236,1in.
Cleaning Instructions	Clean with soft dry cloth. Always switch off the electricity supply before cleaning.
Package Dimensions (cm/in)	Pendant: H: 15cm/5.9in, W: 15cm/5.9in, D: 130cm/51.2in. Canopy: H: 9cm/3.5, W: 15cm/5.9in, D: 58cm/22.8in.

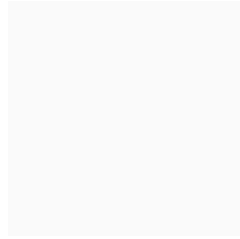
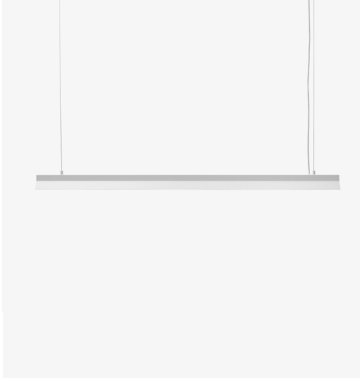
PRODUCT



COLOUR



Matt black



Matt white